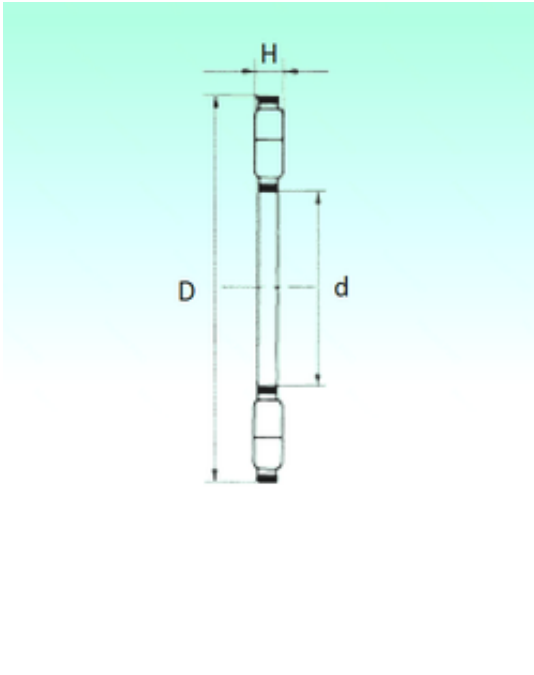




Zotti Industrial Co., Ltd



K89426-M Bearing 2D drawings and 3D CAD models

NBS K89426-M thrust roller bearings

Bearing No. K89426-M

Bore Diameter	130 mm
Outer Diameter	270 mm
d	130 mm
D	270 mm
Dw	28 mm
Weight	5 Kg
Basic dynamic load rating (C)	1329,7 kN
Basic static load rating (C0)	4599,8 kN