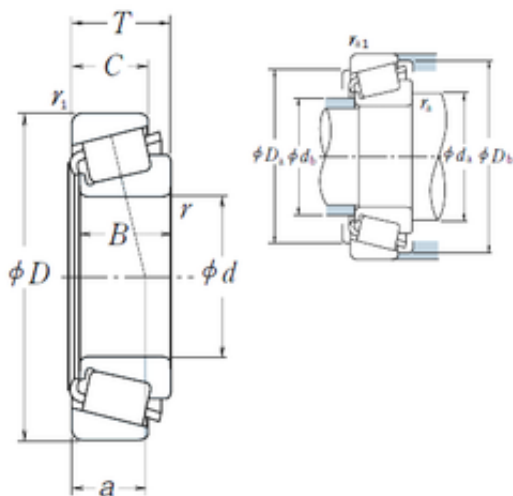




Zotti Industrial Co., Ltd

85 mm x 140 mm x 38 mm NSK JHM516849/JHM516810 tapered roller bearings

Bearing No. JHM516849/JHM516810



JHM516849/JHM516810 Bearing 2D drawings and 3D CAD models

Size	85x140x39 mm
Bore Diameter	85 mm
Outer Diameter	140 mm
Width	39 mm
d	85 mm
D	140 mm
T	39 mm
B	38 mm
C	31,5 mm
ra1 max.	2,5 mm
a	33,3 mm
r min.	3 mm
r1 min.	2,5 mm
Da	125 mm
db	94 mm
ra max.	3 mm
da	100 mm
Db	134 mm
Weight	2,318 Kg
Basic dynamic load rating (C)	202 kN
Basic static load rating (C0)	305 kN
(Grease) Lubrication Speed	2400 r/min
(Oil) Lubrication Speed	3400 r/min
Calculation factor (e)	0,41
Calculation factor (Y0)	0,81



Zotti Industrial Co., Ltd

LangID	1
ALP23	0
outer r	2.5
ALP22	22
D_	140
ALP21	30
SHOG_yobi	JHM516849R/810R
RAr	253.94
inner r	3
GRS rpm	2400
D_b	134
D_a	125
DE_	124.852
SLR	30
Prod_Type3	TRBSR_ID_A
BETA_	1
ALPHA_	15.183
SDM_	112.032
DA1	14.402
DA2	12.706
hidYobi	JHM516849/JHM516810
Y1	1.5
B_	38
Oil rpm	3400
hidTable	ecat_NSTPRI
Y0	0.81
inner ra	3
outer rb	2.5
C0	305
CUP	0.767
e	0.41
DA_	13.557



Zotti Industrial Co., Ltd

BET21	3
BET22	15
BET23	0
Z_	21
C_	31.5
yobi	JHM516849/JHM516810
KBRG	3141
CONE	1.55
DI_	98.757