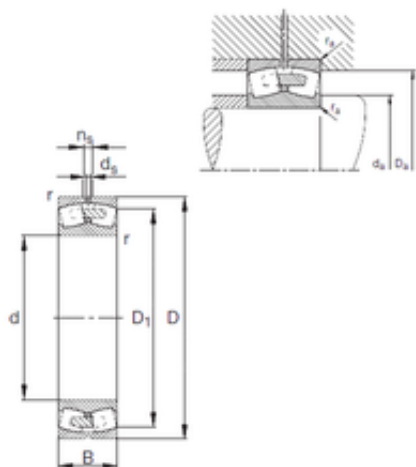




Zotti Industrial Co., Ltd

560 mm x 820 mm x 195 mm FAG 230/560-E1A-MB1 spherical roller bearings



Bearing No. 230/560-E1A-MB1

Size	560x820x195 mm
Bore Diameter	560 mm
Outer Diameter	820 mm
Width	195 mm
d	560 mm
D	820 mm
B	195 mm
C	195 mm
n	23,5 mm
r min.	6 mm
D1	745 mm
da min.	583 mm
Da max.	797 mm
ra max.	5 mm
d5	12,5 r/min
Weight	353 Kg
Basic dynamic load rating (C)	5800 kN
Basic static load rating (C0)	10800 kN
Fatigue load limit (Pu)	800
Reference speed	455 r/min
Limiting speed	980 r/min
Calculation factor (e)	0,21
Calculation factor (Y0)	3,13
Calculation factor (Y1)	3,2
Calculation factor (Y2)	4,77

230/560-E1A-MB1 Bearing 2D drawings and 3D CAD models



Zotti Industrial Co., Ltd