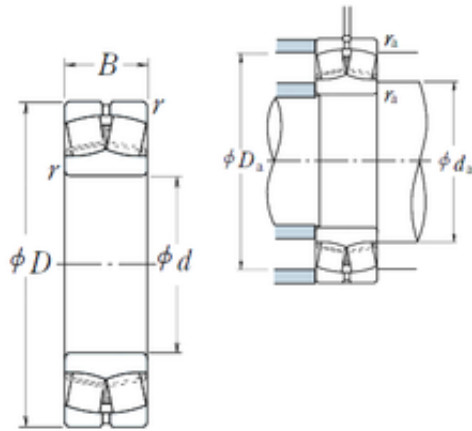




Zotti Industrial Co., Ltd



75 mm x 160 mm x 37 mm NSK 21315EAE4 spherical roller bearings

Bearing No. 21315EAE4

21315EAE4 Bearing 2D drawings and 3D CAD models

Size	75x160x37 mm
Bore Diameter	75 mm
Outer Diameter	160 mm
Width	37 mm
d	75 mm
D	160 mm
B	37 mm
C	37 mm
r min.	2,1 mm
da min.	87 mm
da max	101 mm
Da min	134 mm
Da max.	148 mm
ra max.	2 mm
Weight	3,64 Kg
Basic dynamic load rating (C)	250 kN
Basic static load rating (C0)	325 kN
(Grease) Lubrication Speed	3000 r/min
(Oil) Lubrication Speed	3800 r/min
Calculation factor (e)	0,22
Calculation factor (Y0)	3
Calculation factor (Y2)	4,6
Category	Spherical Roller Bearings
Inventory	0.0
Manufacturer Name	NSK



Zotti Industrial Co., Ltd

Minimum Buy Quantity	N/A
Weight / Kilogram	3.75
EAN	0029176410857
Product Group	B04311
Internal Clearance	C0-Medium
Mounting Method	Shaft Mount
Rolling Element	Spherical Roller Bearing
Bore Profile	Straight
Cage Material	Steel
Enclosure	Open
Number of Rows of Rollers	Double Row
Relubricatable	Yes
Withdrawal Sleeve	Not Applicable
Inch - Metric	Metric
Long Description	75MM Straight Bore; 160MM Outside Diameter; 37MM Width; C0-Medium Clearance; Shaft Mount; Double Row of Spherical Roller Bearings; Steel Cage Material; Open Enclosure; Relubricatable
Category	Spherical Roller Bearing
UNSPSC	31171510
Harmonized Tariff Code	84823080
Noun	Bearing
Keyword String	Spherical
Manufacturer URL	http://www.nskamericas.com
Manufacturer Item Number	21315EAE4
Weight / LBS	0
Adapter Part Number	Not Applicable Inch Not Applicable Millimeter
Width	1.457 Inch 37 Millimeter
Outside Diameter	6.299 Inch 160 Millimeter



Zotti Industrial Co., Ltd

Bore	2.953 Inch 75 Millimeter
bore diameter:	75 mm
maximum rpm:	4000 RPM
outside diameter:	160 mm
operating temperature range:	Maximum of +200 ° C
overall width:	37 mm
cage material:	Steel
bore type:	Straight
bearing material:	Steel
outer ring type:	Not Split
cage type:	Roller Guided
internal clearance:	C0
precision rating:	RBEC 1 (ISO Class Normal)
closure type:	Open
finish/coating:	Uncoated
lubrication hole type:	Lubrication Groove & Hole
outer ring width:	37 mm
dynamic load capacity:	310000 N
fillet radius:	2.1 mm
static load capacity:	325000 N
series:	213
Y3	3.1
hidYobi	21315EAE4
LangID	1
Y1	3.1
D_	160
Y2	4.6
Macha rpm	5600
B_	37
da min	87
hidTable	ecat_NSSPHR



Zotti Industrial Co., Ltd

Oil rpm	4000
Y0	3
mass	3.64
GRS rpm	3200
ra	2
TSR rpm	4000
C0	325
DE_	137.026
X0	1
Prod_Type3	SRB_CTB_CB
X1	1
X2	0.67
SIR	13.89
e	0.22
DA_	17.24
bomp	21315EAE4
Z_	20
ALP2	22
ALP1	8
ALP3	0
D_a max	148
D_a min	134
yobi	21315EAE4
HPS	HPS
ALPHA_	0.146
SDM_	119.969
r	2.1
KBRG	2328
SBRG	3
DI_	102.913