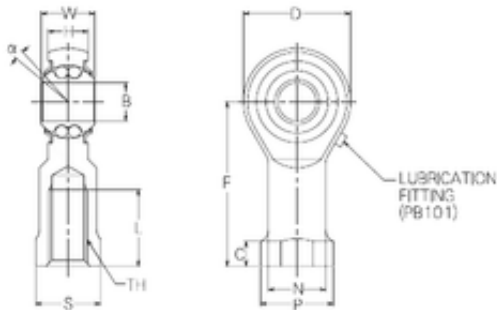




# Zotti Industrial Co., Ltd

14 mm x 36 mm x 14 mm NMB PBR14FN self aligning ball bearings



Bearing No. PBR14FN

Bore Diameter	14 mm
Width	14 mm
d	14 mm
P	25 mm
B	14 mm
C	8 mm
D	36 mm
F	57 mm
H	13,5 mm
L	25 mm
N	20 mm
S	22 mm
W	19 mm
Angle	6 °
Thread (TH)	M14 × 2,0
Weight	160 Kg
Basic dynamic load rating (C)	5,59 kN

PBR14FN Bearing 2D drawings and 3D CAD models